

Ignition System with Four Pin Module

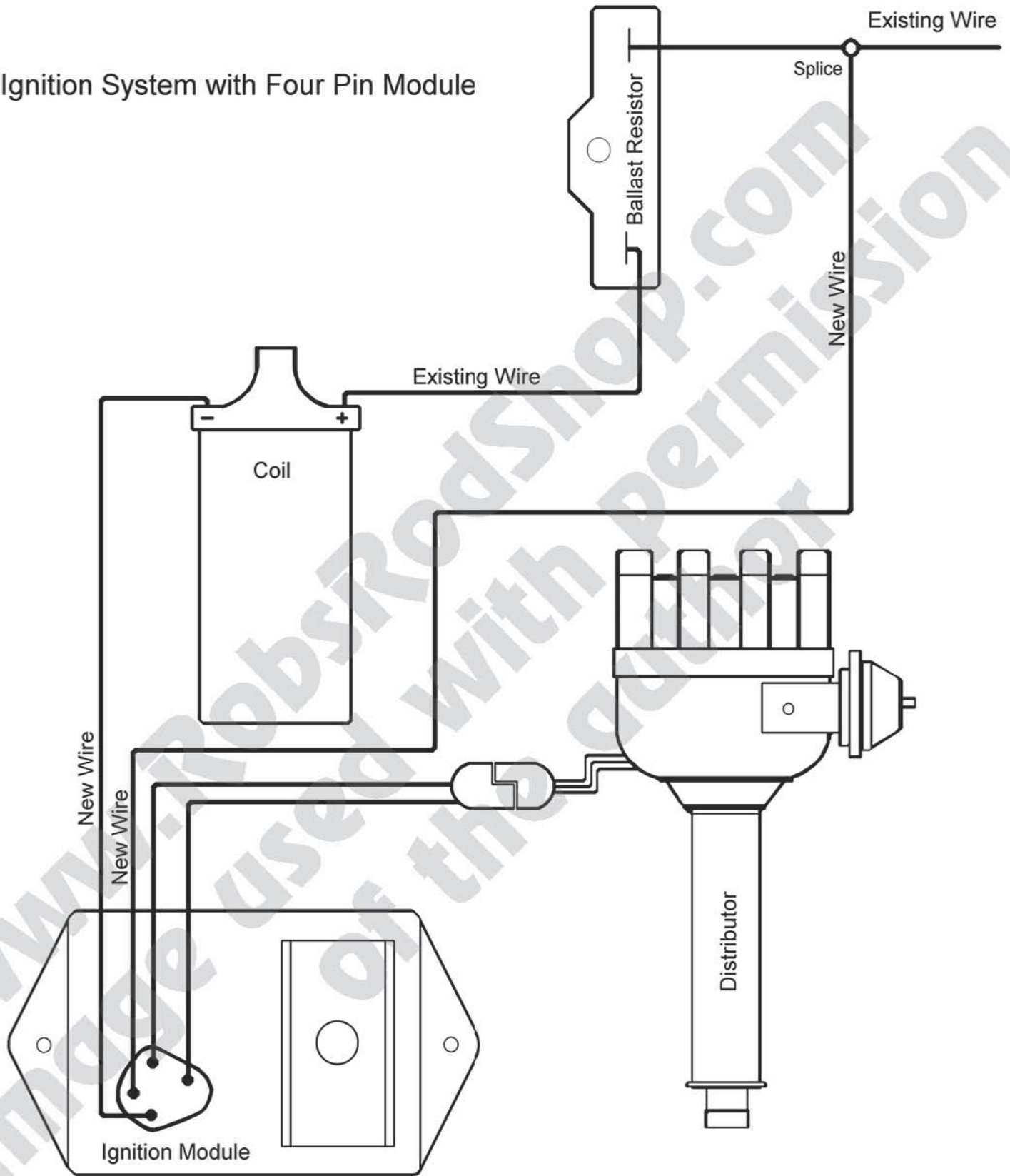


Image from page 73 of:
"The Hot Rodders Do-It-Yourself Guide to:
Chrysler Performance Upgrades"
by Frank Adkins