

# Ignition System with Five Pin Module

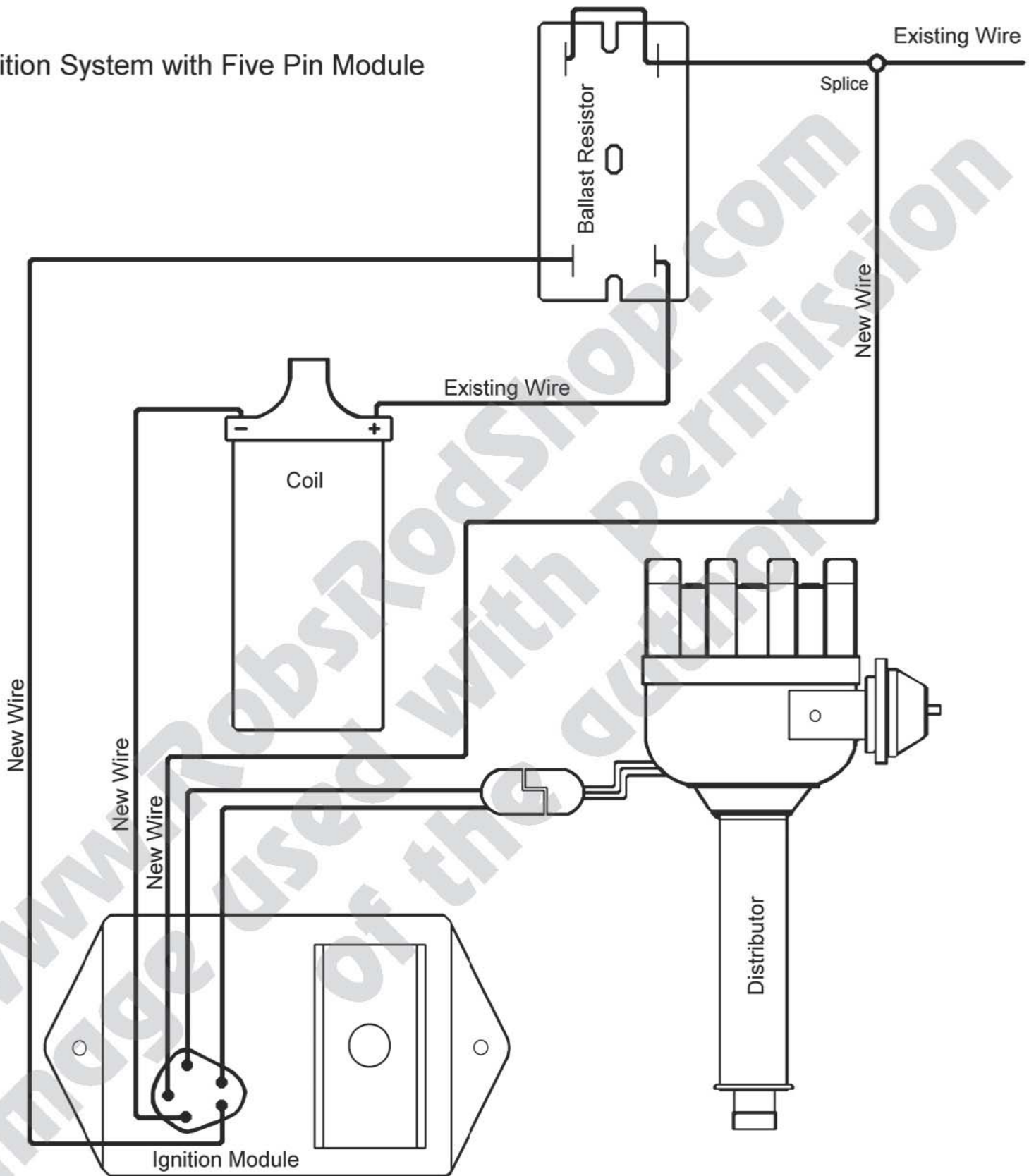


Image from page 73 of:  
"The Hot Rodders Do-It-Yourself Guide to:  
Chrysler Performance Upgrades"  
by Frank Adkins